

Spare parts for Mobius® Bioreactors

50 L, 200 L, 1000 L & 2000 L



The life science business of Merck operates as MilliporeSigma in the U.S. and Canada.

Spare part list

Number	Catalogue number	Description	Size				Classification (PM*, critical**, other)
			50 L	200 L	1000 L	2000 L	
#1	SPKHPI001BRX	VENT FILTER DOUBLE JACKET HEATER	x	x	x	x	Critical
#2	SPKHPI002BRX	JACKET HOSE 1000 L & 2000 L			x	x	Critical
#3	SPKHPI003BRX	CAMROLL BEARING FOR 1000 L & 2000 L DRAWER			x	x	Critical
#4	SPKHPI007BRX	AIR CYLINDER FOR 1000 L & 2000 L MIXER MOTOR LIFT			x	x	Critical
#5	SPKHPI009BRX	AIR CYLINDER FOR 1000 L & 2000 L FOR DRAWER			x	x	Critical
6	SPKHPI010BRX	TEMPERATURE PROBE	x	x	x	x	Critical
7	SPKHPI090BRX	CO2 DIGITAL ELECTROCHEMICAL SENSOR PROBE	x	x	x	x	Critical
8	SPKHPI092BRX	DO DIGITAL OPTICAL SENSOR PROBE	x	x	x	x	Critical
9	SPKHPI093BRX	DO ANALOG ELECTROCHEMICAL SENSOR PROBE	x	x	x	x	Critical
10	SPKHPI094BRX	DO DIGITAL ELECTROCHEMICAL SENSOR PROBE	x	x	x	x	Critical
11	SPKHPI095BRX	PH ANALOG ELECTROCHEMICAL SENSOR PROBE	x	x	x	x	Critical
12	SPKHPI096BRX	PH DIGITAL ELECTROCHEMICAL SENSOR PROBE	x	x	x	x	Critical
#13	SPKHPI104BRX	SST-ECLIPSE SERVO DRIVES			x	x	Critical
#14	SPKHPI110BRX	CPU, 2 MB, 2 ETHERNET/IP, 1 USB	x	x	x	x	Critical
#15	SPKHPI112BRX	PLC POWER SUPPLY	x	x	x	x	Critical
#16	SPKHPI113BRX	VALVE 6013	x	x	x	x	Critical
#17	SPKHPI115BRX1	ID 282613. 8626 MFC FOR AIR 100 SLPM			x	x	Critical
#18	SPKHPI115BRX2	ID 283027. 8626 MFC FOR CO2 50 SLPM			x	x	Critical
#19	SPKHPI116BRX1	ID 294941. 8711 MFC FOR AIR 2.5 SLPM	x				Critical
#20	SPKHPI116BRX10	ID 279563. 8711 MFC FOR O2 20 SLPM			x	x	Critical
#21	SPKHPI116BRX11	ID 283025. 8711 MFC FOR O2 50 SLPM			x	x	Critical
#22	SPKHPI116BRX12	ID 294954. 8711 MFC FOR N2 5 SLPM	x				Critical
#23	SPKHPI116BRX13	ID 283016. 8711 MFC FOR N2 10 SLPM	x	x			Critical
#24	SPKHPI116BRX14	ID 294957. 8711 MFC FOR N2 20 SLPM		x	x	x	Critical
#25	SPKHPI116BRX15	ID 279584. 8711 MFC FOR N2 50 SLPM			x	x	Critical
#26	SPKHPI116BRX16	ID 283023. 8711 MFC FOR CO2 2 SLPM	x				Critical
#27	SPKHPI116BRX17	ID 294947. 8711 MFC FOR CO2 2.5 SLPM	x				Critical
#28	SPKHPI116BRX18	ID 294950. 8711 MFC FOR CO2 5 SLPM	x	x			Critical
#29	SPKHPI116BRX19	ID 294952. 8711 MFC FOR CO2 10 SLPM		x			Critical
#30	SPKHPI116BRX2	ID 294945. 8711 MFC FOR AIR 5 SLPM	x	x			Critical
#31	SPKHPI116BRX20	ID 279590. 8711 MFC FOR CO2 20 SLPM			x	x	Critical
#32	SPKHPI116BRX3	ID 283012. 8711 MFC FOR AIR 10 SLPM	x	x			Critical
#33	SPKHPI116BRX4	ID 283165. 8711 MFC FOR AIR 20 SLPM		x	x	x	Critical
#34	SPKHPI116BRX5	ID 283024. 8711 MFC FOR AIR 50 SLPM			x	x	Critical
#35	SPKHPI116BRX6	ID 283020. 8711 MFC FOR O2 2 SLPM	x				Critical
#36	SPKHPI116BRX7	ID 294961. 8711 MFC FOR O2 2.5 SLPM	x				Critical

Spare part list (Continued)

Number	Catalogue number	Description	Size				Classification (PM*, critical**, other)
			50 L	200 L	1000 L	2000 L	
#37	SPKHPI116BRX8	ID 294939. 8711 MFC FOR O2 5 SLPM	x	x			Critical
#38	SPKHPI116BRX9	ID 283019. 8711 MFC FOR O2 10 SLPM	x	x			Critical
#39	SPKHPI117BRX	HEATER CONTROLER	x	x	x	x	Critical
#40	SPKHPI121BRX	DUAL-CHANNEL CONFIGURABLE, TRANSMITTER M300	x	x	x	x	Critical
#41	SPKHPI122BRX	PRESSURE SENSOR TRANSMITTER, OUTPUT 4-20 mA, 10 psi, 24VDC	x	x	x	x	Critical
#42	SPKHPI123BRX	WEIGHT TERMINAL IND131	x	x	x	x	Critical
#43	SPKHPI124BRX	ANALOG JUNCTION BOX AJB-540S	x	x	x	x	Critical
44	SPKHPI127BRX	CABLE FOR ELEC PH & DIGITAL CO2 & DIGITAL ELEC DO PROBE	x	x	x	x	Critical
#45	SPKHPI130BRX	IMPELLER CONTROLLER SET FOR MOBIUS® 1000 & 2000 L BIOREACTORS			x	x	Critical
46	SPKHPI131BRX	CABLE FOR ANALOG ELEC DO PROBE	x	x	x	x	Critical
#47	SPKHPI136BRX	CUBE20 DO32—MODULE 32 DIGITAL OUTPUT; 24VDC 0.5A	x	x	x	x	Critical
#48	SPKHPI137BRX	CUBE20 DO16—MODULE 16 DIGITAL OUTPUT, 24VDC 0.5A	x	x	x	x	Critical
#49	SPKHPI138BRX	CUBE20 AI4 U/I—MODULE AI4—VOLTAGE/CURRENT, AI4 -10V..+10V/0-10V/0-20mA/	x	x	x	x	Critical
#50	SPKHPI139BRX	IMPELLER MOTOR FOR MOBIUS® 1000 & 2000 L BIOREACTORS			x	x	Critical
#51	SPKHPI140BRX	SENSORREADY MOTOR	x	x	x	x	Critical
#52	SPKHPI141BRX	SENSORREADY MOTOR PUMP HEAD SOCKET	x	x	x	x	Critical
#53	SPKHPI142BRX	CUBE20 BN-E/IP DI8—NODE ETHERNET-IP, DI8 24VDC	x	x	x	x	Critical
#54	SPKHPI143BRX	CUBE20 DI16DO16—MODULE 16 DIGITAL INPUTS AND 16 DIGITAL OUTPUT, DI16/DO16	x	x	x	x	Critical
#55	SPKHPI144BRX	CUBE20 AO4 U/I—MODULE AO4 - U/I, AO4 -10V..+10V/0-10V/0-20mA/4-20mA	x	x	x	x	Critical
#56	SPKHPI145BRX	NETWORK TO NETWORK GATEWAYS	x	x	x	x	Critical
#57	SPKHPI146BRX	200 L IMPELLER MOTOR		x			Critical
#58	SPKHPI147BRX	50 L IMPELLER MOTOR	x				Critical
#59	SPKHPI148BRX	50 L IMPELLER MOTOR CONTROLLER	x				Critical
#60	SPKHPI149BRX	SENSORREADY PUMP SPEED CONTROLLER	x	x	x	x	Critical
61	SPKHPI150BRX	50 L ADAPTOR CABLE POWER FOR IMPELLER	x				Critical
62	SPKHPI151BRX	50 L ADAPTOR CABLE SENSOR FOR IMPELLER	x				Critical
#63	SPKHPI152BRX	50 L IMPELLER POWER SUPPLY	x				Critical
#64	SPKHPI153BRX	200 L IMPELLER MOTOR CONTROLLER		x			Critical
65	SPKHPI154BRX	200 L ADAPTOR CABLE POWER FOR IMPELLER		x			Critical
66	SPKHPI155BRX	200 L ADAPTOR CABLE SENSOR FOR IMPELLER		x			Critical
67	SPKHPI156BRX	200 L PLC INTERFACE		x			Critical
68	SPKHPI158BRX	ADAPTOR CABLE FOR 1000 L & 2000 L IMPELLER MOTOR			x	x	Critical
69	SPKHPI159BRX	LP ADAPTOR CABLE FOR 1000 L & 2000 L IMPELLER MOTOR			x	x	Critical
70	SPKHPI161BRX	INTERCONNECT CABLE FOR MOBIUS® 1000 & 2000 L BIOREACTORS			x	x	Critical
71	SPKHPI163BRX	SENSORREADY ADAPATOR/EXTENSION CABLE	x	x	x	x	Critical
72	SPKHPI164BRX	TCU CABLE FOR LAUDA RE 630 S	x				Critical

Spare part list (Continued)

Number	Catalogue number	Description	Size				Classification (PM*, critical**, other)
			50 L	200 L	1000 L	2000 L	
73	SPKHPI165BRX	TCU CABLE FOR LAUDA INTEGRAL T & VARIOCOOL		x	x	x	Critical
74	SPKHPI167BRX	PRESSURE SENSOR CABLE	x	x	x	x	Critical
75	SPKHPI168BRX	PRESSURE SENSOR EXTENSION CABLE	x	x	x	x	Critical
#76	SPKHPK001BRX	VESSEL JACKET CONNECTION KIT	x	x	x	x	Critical
#77	SPKHPK104BRX	EMC LINE FILTER & ESTOP CONTROL RELAY	x	x	x	x	Other
#78	SPKHPK106BRX	DRAWER ELECTRICAL & PNEUMATIC PART			x	x	Critical
#79	SPKHPK120BRX	INDUCTIVE PROXIMITY SENSOR & PRESSURE SWITCH & REGULATOR			x	x	Critical
#80	SPKHPK117BRX	BRX SENSORREADY LOOP CLIPS, QTY 2			x	x	Critical
81	SPKHPI170BRX	CABLE FOR DIGITAL OPTICAL DO PROBE	x	x	x	x	Critical
#82	SPKHPI001GEN	QUICK-CONNECT COUPLING MALE W/ 1.5 in TC	x	x	x	x	Critical
#83	SPKHPI171BRX	LOAD CELL FOR 50 L & 200 L	x	x			Critical
#84	SPKHPI172BRX	LOAD CELL FOR 100 0L			x		Critical
#85	SPKHPI173BRX	LOAD CELL FOR 2000 L				x	Critical
#86	SPKHPK121BRX	KIT FOR USB PORT	x	x	x	x	Other
#87	SPKHPI174BRX	FLOW SENSOR LFSC-12	x	x	x	x	Critical
#88	SPKHPI175BRX	FLOW CONVERTER LFC-1C-CS	x	x	x	x	Critical
89	SPKHPI176BRX	FLOW SENSOR EXT CABLE LFE-B.1-10S	x	x			Critical
90	SPKHPI177BRX	FLOW SENSOR EXT CABLE LFE-B.1-30			x	x	Critical
#91	SPKHPK122BRX	313D PUMP HEAD SPARE PARTS KIT	x	x			Critical
#92	SPKHPK123BRX	520R PUMP HEAD SPARE PARTS KIT	x	x	x	x	Critical
#93	SPKHPK124BRX	520R2 PUMP HEAD SPARE PARTS KIT	x	x	x	x	Critical
#94	SPKHPK125BRX	620R PUMP HEAD SPARE PARTS KIT	x	x	x	x	Critical
#95	SPKHPK126BRX	720R PUMP HEAD SPARE PARTS KIT			x	x	Critical
#96	MIXSST0109442	QUICK-CONNECT COUPLING, MALE, 3/4" NPT	x	x	x	x	Critical
#97	MIXSST0109441	QUICK-CONNECT COUPLING, FEMALE, 3/4" NPT	x	x	x	x	Critical

Means that the part is illustrated

The illustrations are examples. Actual configuration may vary according to selected options and custom features.

* **Preventive Maintenance (PM)** parts are subject to wear and tear. Under average usage conditions, they should be replaced at least once per year. A risk assessment based on the specific system usage and production conditions may indicate replacement of some or all of these parts more frequently.

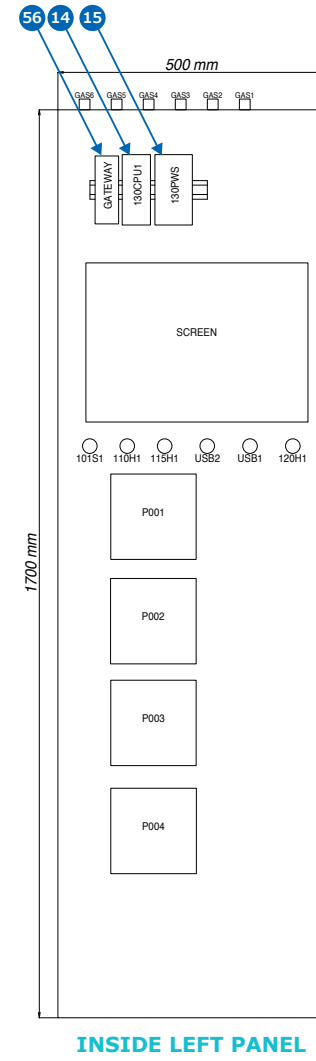
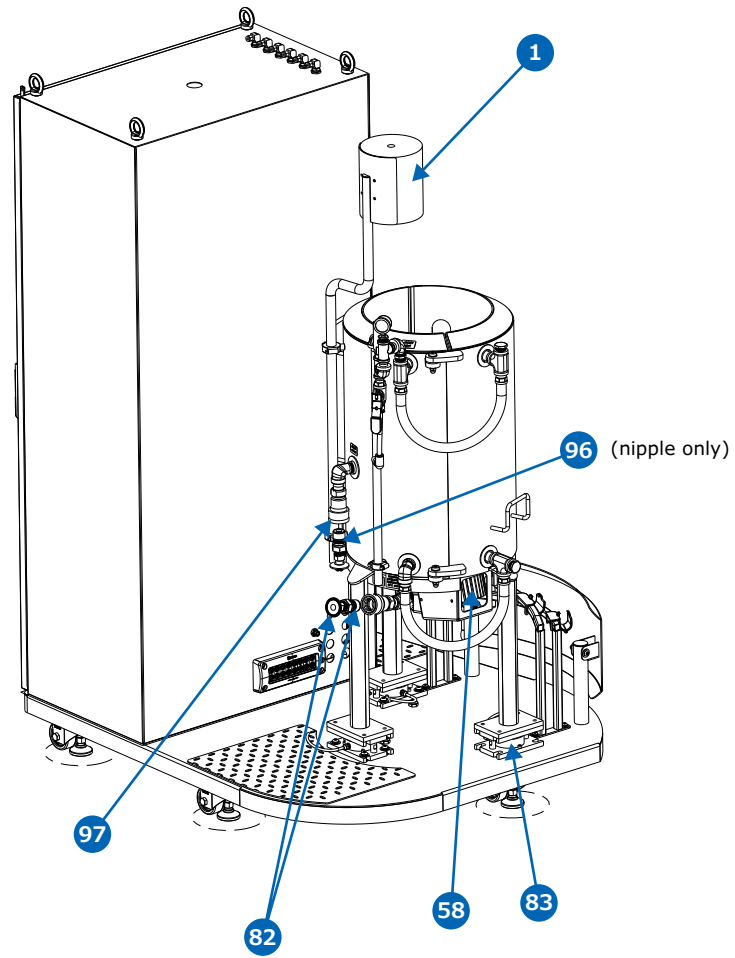
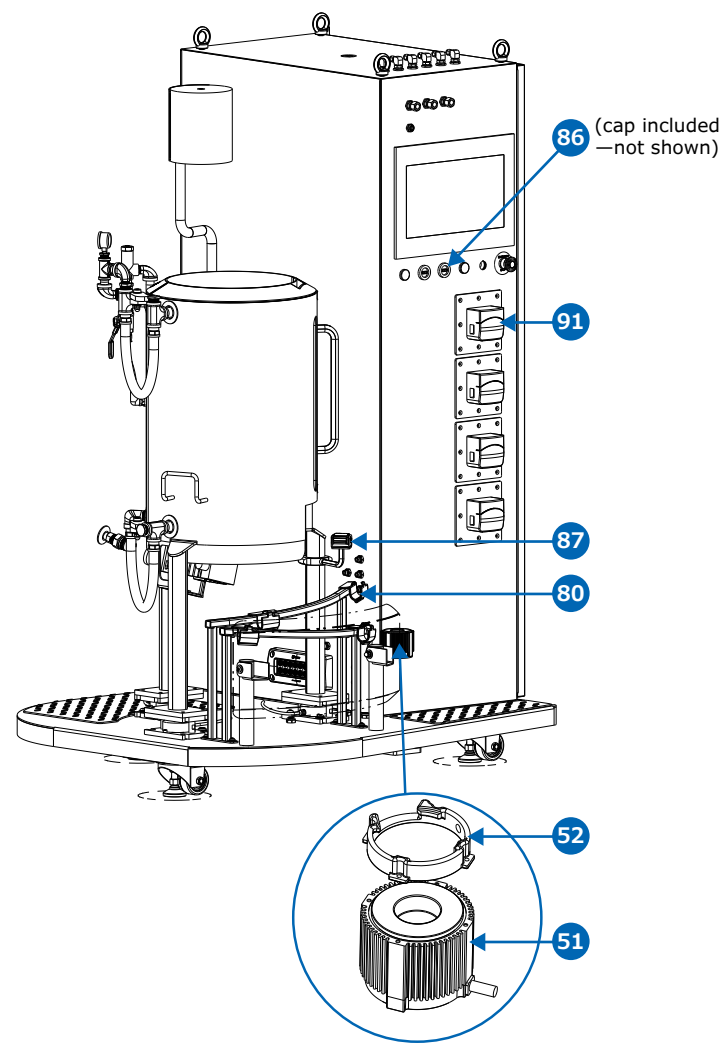
** **Critical** parts have been identified as most critical to avoiding system downtime and are recommended to be kept in stock for immediate availability.

For both PM and critical parts stock recommendation is 1 part per unit.

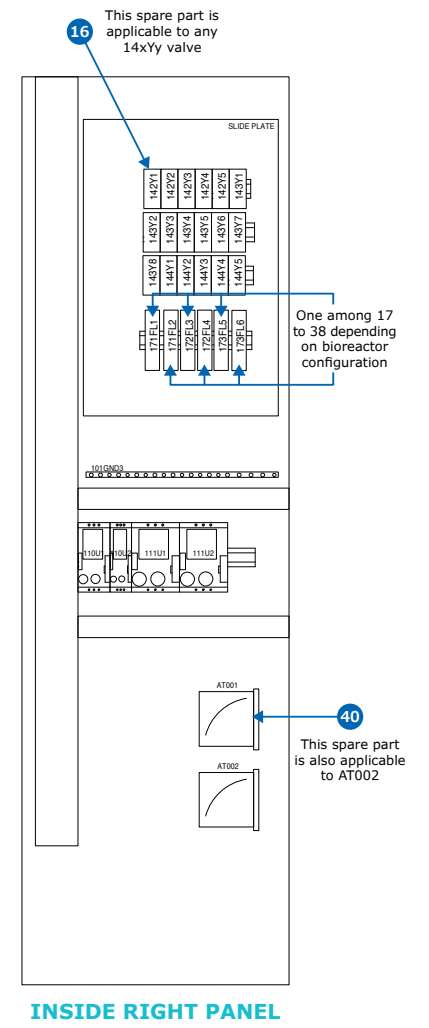
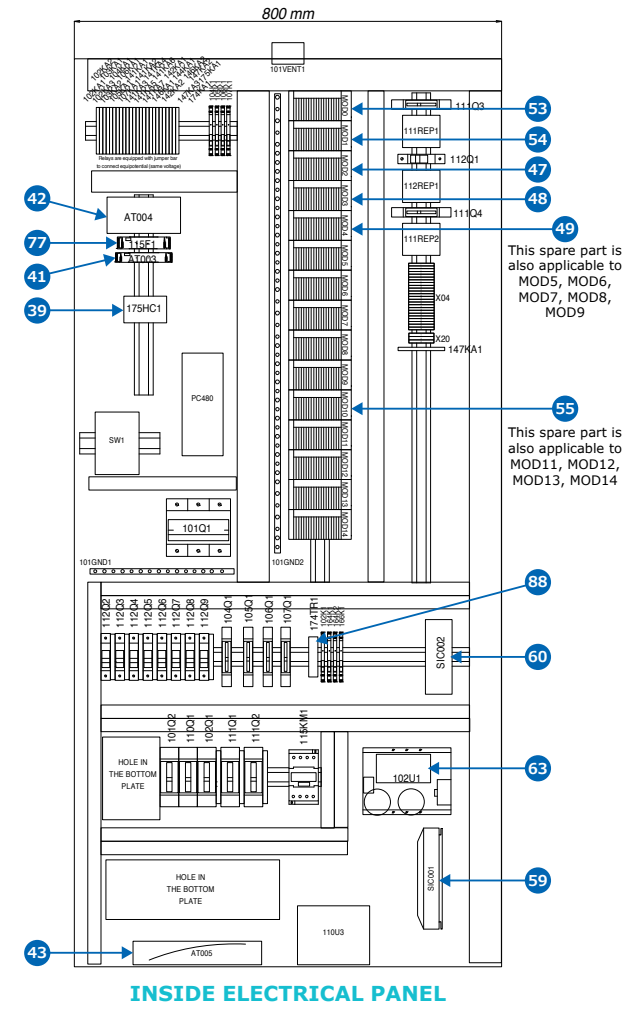
For custom or additional spare parts, please contact your local sales representative.

1. 50 L

Skid & Vessel

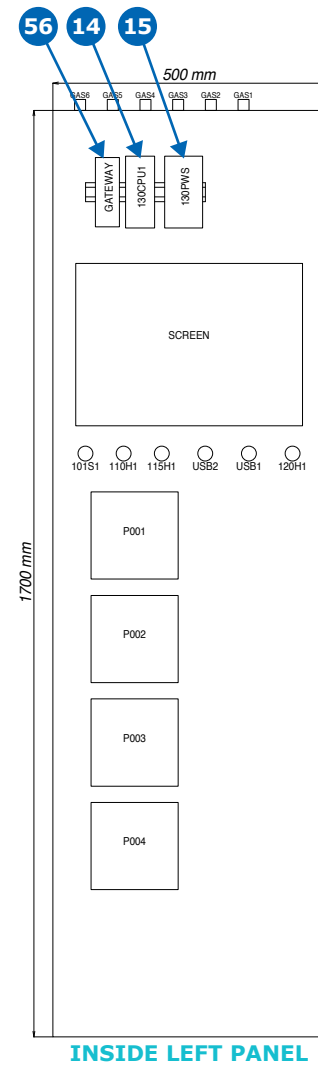
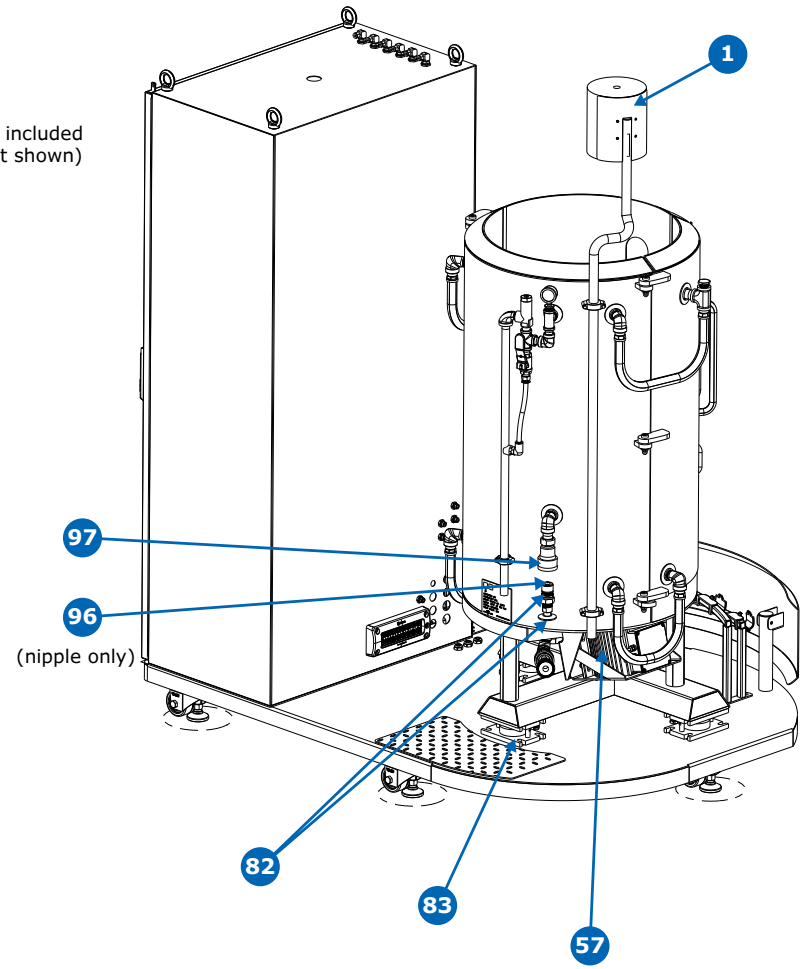
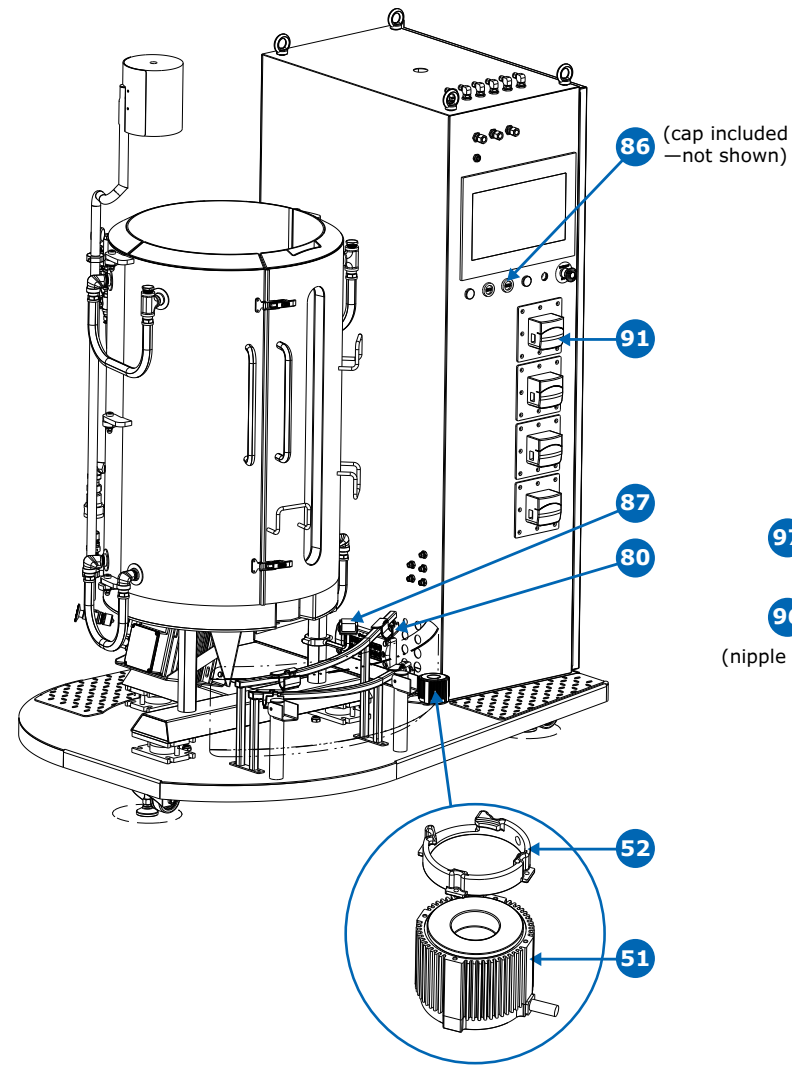


Electrical box

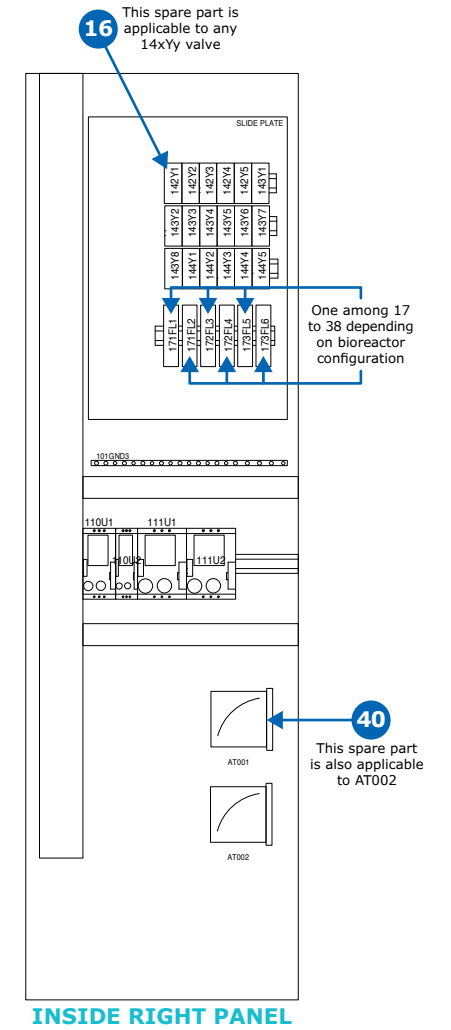
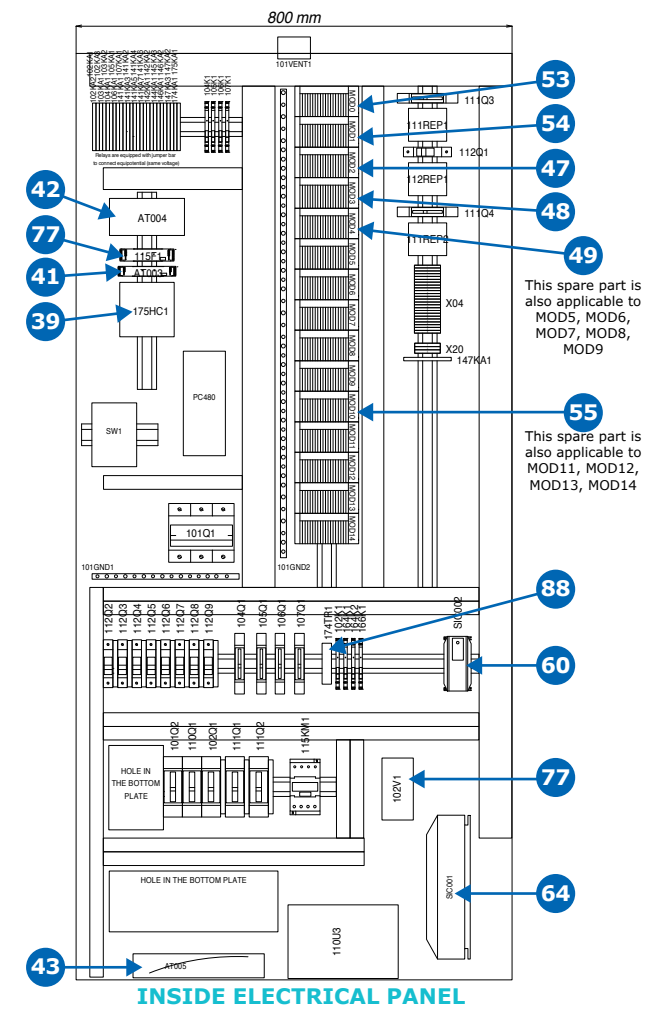


2. 200 L

Skid & Vessel

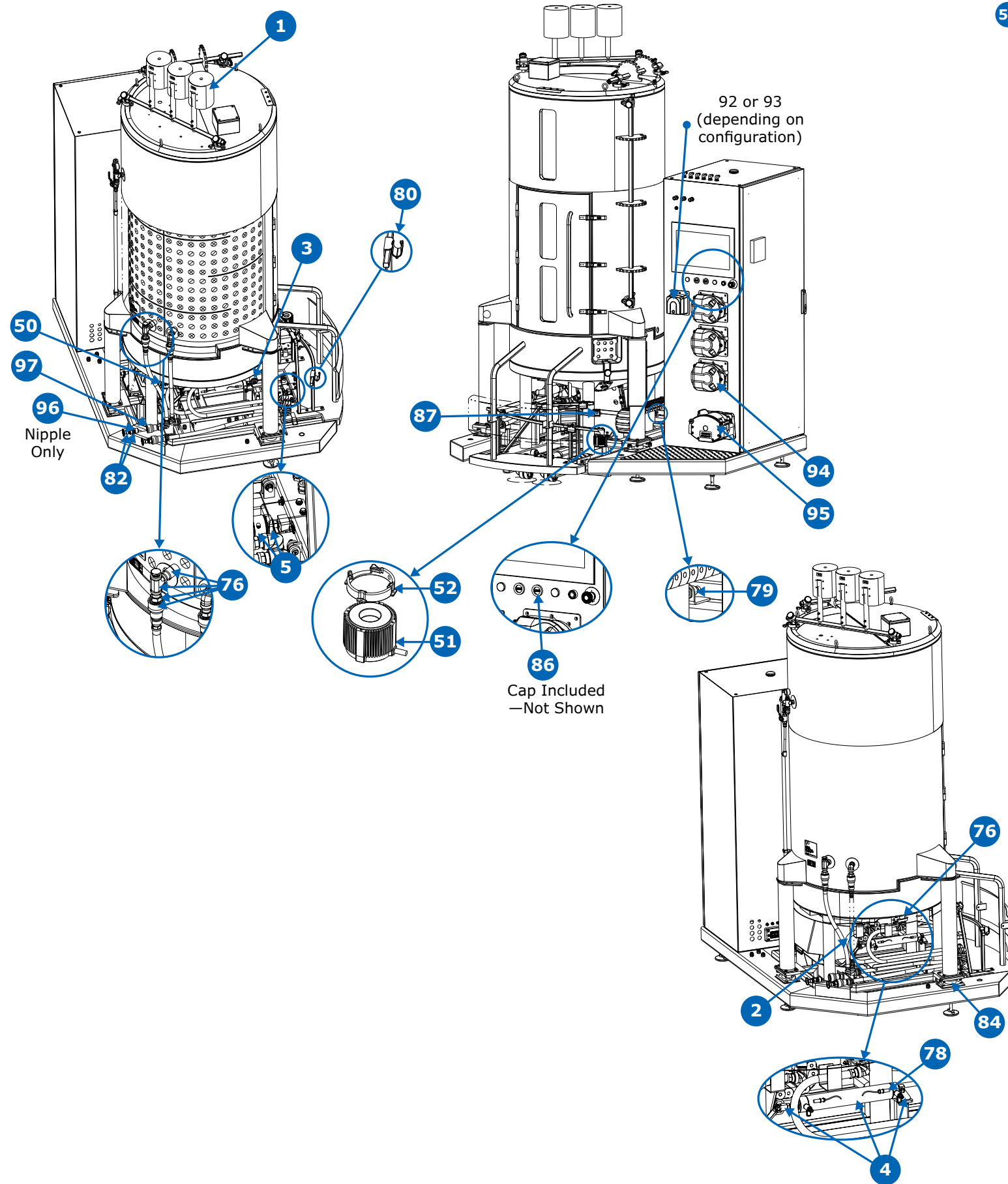


Electrical box

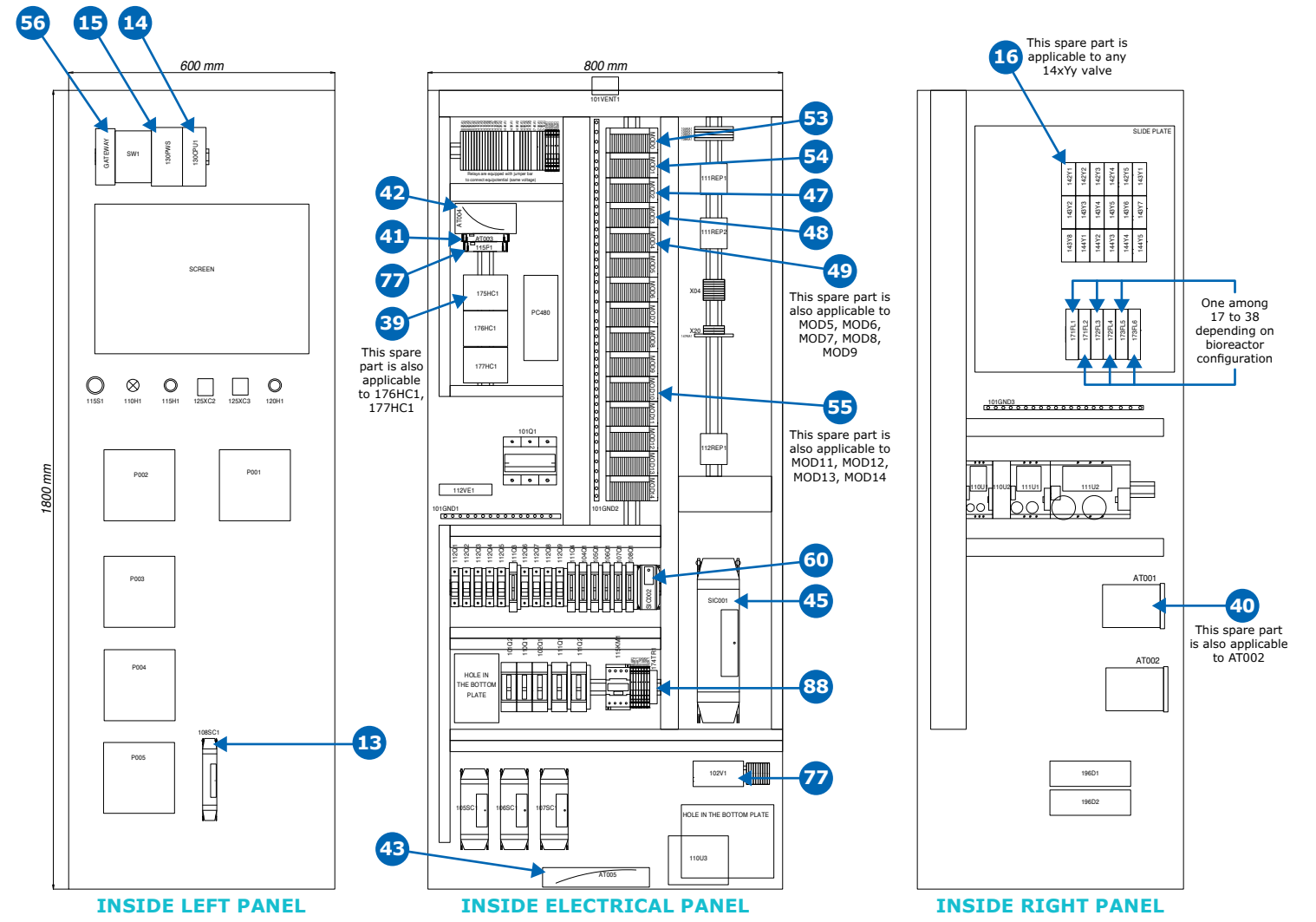


3. 1000 L

Skid & Vessel

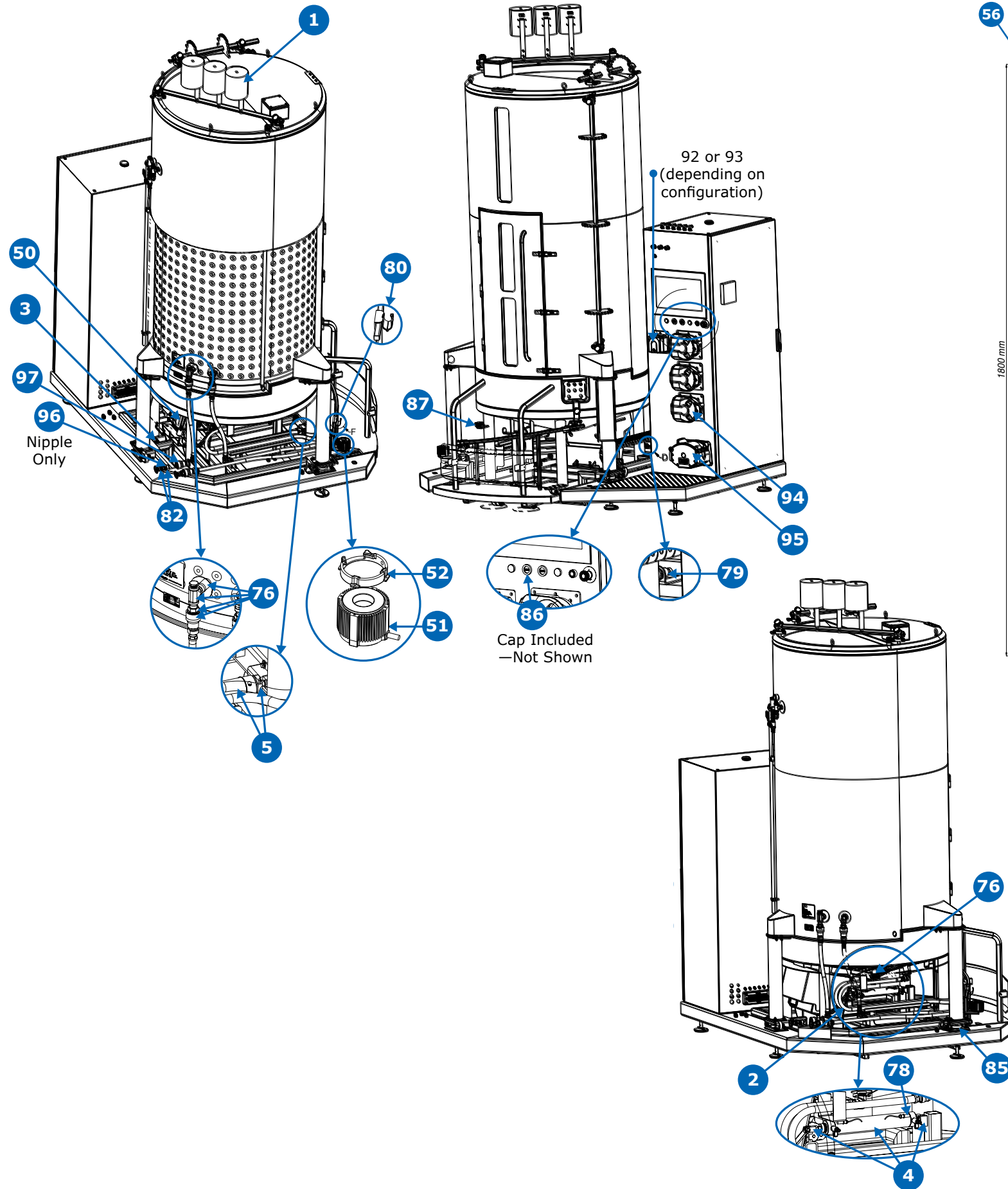


Electrical box

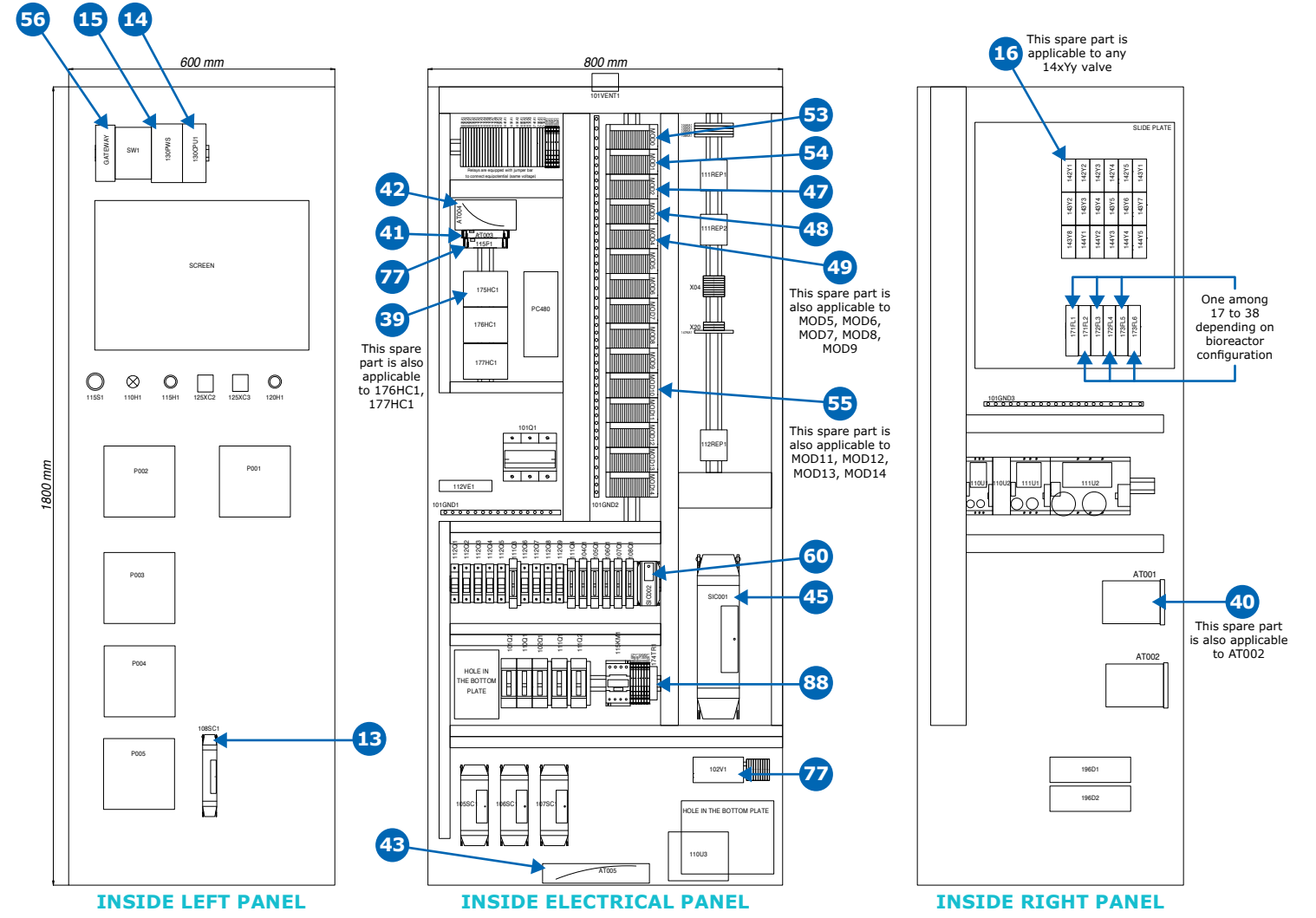


4. 2000 L

Skid & Vessel



Electrical box



Technical Assistance

For more information, please visit www.sigmaaldrich.com
for up-to-date worldwide contact information

