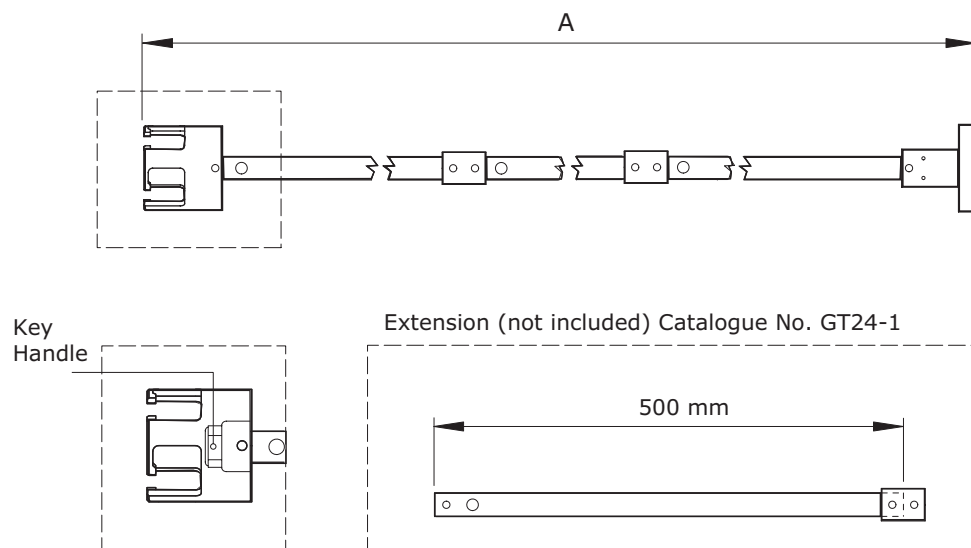


# NovAseptic® Mixer Multi Tool for Mixing Head and Male Bearing, GMP and USM

## Product Description

NovAseptic® mixers offer a complete solution for mixing throughout the process line and are designed for a wide variety of mixing applications in the pharmaceutical and biotechnology industries.



## Nominal Dimensions in mm (in.)

GT##/25	For Mixer	A	Key Handle
GT12/25	GMP50, GMP100, GMP50 ATEX, GMP100 ATEX, USM T10*	1592 (62.68)	13 (0.51)
GT20/25	GMP500 to GMP2000, GMP500 ATEX to GMP2000 ATEX, USM T60*	1611 (63.43)	13 (0.51)
GT30/25	USM T260*	1671 (65.79)	13 (0.51)

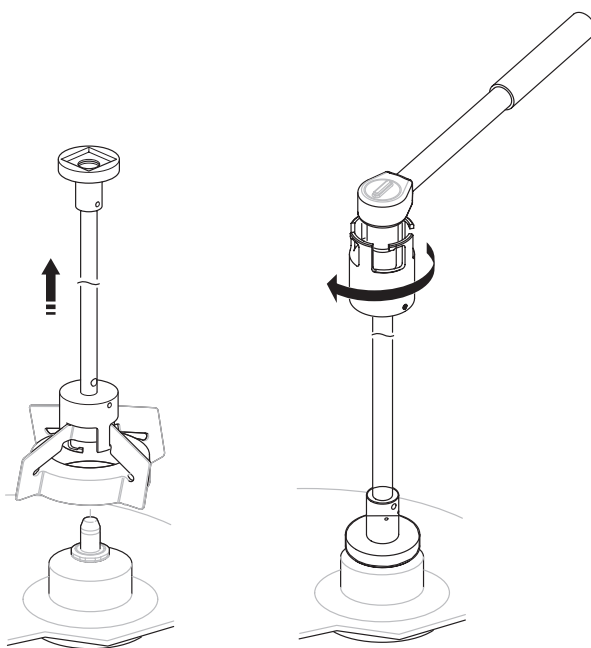
\* Note: For Male Bearing only

## Specifications

Net Weight (approximate)		
Multi Tool	GT12/25	GT20/25
Weight kg (lb)	1.0 (2.20)	1.2 (2.65)

Material		
	Body	Key Handle
Material Code	Aluminium	Stainless Steel

Additional Information	
Surface Treatment	Anodized aluminium, not on key handle.
Dynamometric Wrench	A dynamometric wrench is not included but can be supplied, order on Catalogue No. GT/24-5.
Note	The Multi Tool is not recommended for use on larger sizes of mixing heads than GMP2000. Mixing heads GMP5000 to GMP30000 and GMP5000 ATEX to GMP20000 ATEX shall be lifted by hand, for tightening the male bearing choose tool GT30/26.
Packaging	The Multi Tool is packaged in a closed box.
Quality Control	Our Quality Assurance System guarantees the control and traceability at all stages of the manufacturing



## Technical Assistance

For more information, please visit [SigmaAldrich.com](http://SigmaAldrich.com)  
for up-to-date worldwide contact information

