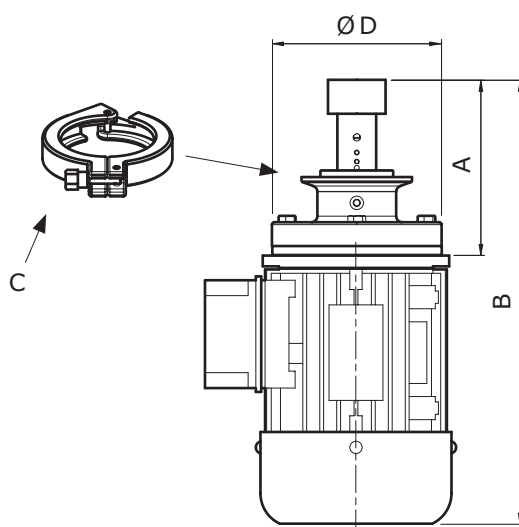


Specification Sheet

NovAseptic® Mixer, Drive Unit, HS



Nominal Dimensions in mm (in.)

Catalogue No. HS ##/4XS-##	A	B	TC Clamp C	Motor Flange Type D	Revolution Counter	Compatible Mixer
HS10/4XS-N	87 (3.43)	279 (10.99)	—	B14	Yes	HS T10
HS60/4XS-N2	138 (5.43)	414 (16.30)	91 (3)	B14	Yes	HS T60
HS260/4XS-N2	178 (7.01)	589 (23.19)	—	B14	Yes	HS T260

Specifications

Net Weight (approximate)			
	HS T10	HS T60	HS T260
Catalogue No.	HS10/4XS-N	HS60/4XS-N2	HS260/4XS-N2
Weight kg (lb)	6 (13)	19(41.9)	66 (145.5)

General Motor Data			
	HS T10	HS T60	HS T260
Catalogue No.	HS10/4XS-N	HS60/4XS-N2	HS260/4XS-N2
Type	Three-phase asynchronous	Three-phase asynchronous	Three-phase asynchronous
Voltage	230/400 VAC—50 Hz and 265/460 VAC—60 Hz	230/400 VAC—50 Hz and 265/460 VAC—60 Hz	230/400 VAC—50 Hz and 265/460 VAC—60 Hz
Number of Poles	2	2	2
Degree of Protection	IP 55	IP 55	IP 55

Drive Unit Specifications (Motor and Frame)						
Catalogue No.	Brand	Max Power		Max Current (A)		Frame (IEC)
		50 Hz (kW)	60 Hz (Hp)	230/400 VAC	265/460 VAC	
HS10/4XS-N	Nord® 63LP/2 IE3	0.25	0.34	0.98/0.57	0.86/0.50	IEC 63 B14
HS60/4XS-N2	Nord® 90SP/2 IE3	1.5	2.01	5.11/2.95	4.72/2.73	IEC 90 B14
HS260/4XS-N2	Nord® 132MP/2 IE3	7.5	10.06	13.40/7.74 (400/690 VAC)—50Hz	11.70 (460D)—60Hz	IEC 132 B14

Drive Unit Specifications (Complete Drive Unit)		
Catalogue No.	Outer Driving Head Torque (Nm)	Design Speed (rpm)**
HS10/4XS-N	1	350–5200
HS60/4XS-N2	6	350–3400
HS260/4XS-N2	26	350–3500

Additional Information	
Environment Temperature	–15 to 40 °C (5 to 104 °F)
Design Pressure	Atmospheric pressure
Operating Speed	Maximum operating speed has to be validated for each process individually, depending on volume, viscosity etc.
Note	The assembled NovAseptic® Mixer may have different design temperature and/or pressure limits. The weakest component in the assembled product determines the maximum design temperature and pressure limits.
Labeling	Each Drive Unit is individually labeled for full traceability according to our QA routines.
Packaging	The Drive Unit is packaged in a closed box.
Quality Control	Our Quality Assurance System guarantees the control and traceability of the product.
Options	For non-standard NovAseptic® Mixer Options, please contact your local sales representative for further information. Options for non-standard NovAseptic® Mixer Options, please contact your local sales representative for further information.

*Note: Approx. for more accurate figures contact your local sales representative.

**Note: Design Speed is the mechanical limit.

Technical Assistance

For more information, please visit [SigmaAldrich.com](https://www.SigmaAldrich.com) for up-to-date worldwide contact information

