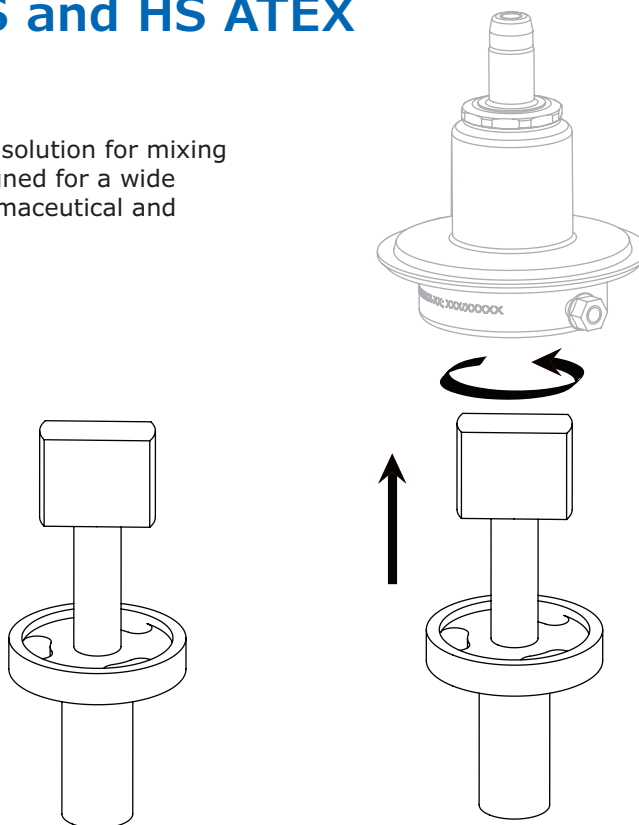


# NovAseptic® mixer, NovAseptic® gauge 1, for tank plate, outer drive head control, GMP, GMP ATEX, HS and HS ATEX

## Product Description

The NovAseptic® mixers offer a complete solution for mixing throughout the process line and are designed for a wide variety of mixing applications in the pharmaceutical and biotechnology industries.



## Ordering Information

Catalog No.	Compatible Mixer Model
G91-001	GMP50, GMP50 ATEX, HST10 & HST10 ATEX
G91-002	GMP100, GMP500 & GMP100 ATEX, GMP500 ATEX
G91-003	GMP1000 & GMP1000 ATEX
G91-004	GMP2000 & GMP2000 ATEX
G91-005	GMP5000 & GMP5000 ATEX
G91-006	GMP10000 & GMP10000 ATEX
G91-007	GMP20000 & GMP20000 ATEX
G91-008	GMP30000
G91-010	HST60 & HST60 ATEX
G91-011	HST260 & HST260 ATEX

## Specifications

Net Weight (approximate)										
NovAseptic® Gauge 1	G91-001	G91-002	G91-003	G91-004	G91-005	G91-006	G91-007	G91-008	G91-010	G91-011
Weight kg (lb)	0.3 (0.66)	0.4 (0.88)	0.4 (0.88)	0.6 (1.3)	1.0 (2.2)	0.7 (1.5)	2.3 (5.07)	2.7 (5.9)	0.4 (0.88)	1.1 (2.4)

---

Material	
Body	Aluminium

---

Additional Information	
Packaging	The NovAseptic® Gauge 1 is packaged in a closed box. Tools are not included with the Tank Plate. These must be purchased separately.
Quality Control	Our Quality Assurance system ensures the quality at all stages of the process.

## Technical Assistance

For more information, please visit [SigmaAldrich.com](http://SigmaAldrich.com) for up-to-date worldwide contact information

