

Don't use printout for evaluation!!!

Supelco. [www.sigmaaldrich.com](http://www.sigmaaldrich.com)

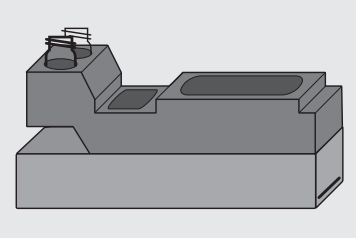
1.14424  
MQuant®  
Nitrite Test  
Nitrit-Test  
Test Nitrites  
Test Nitritos

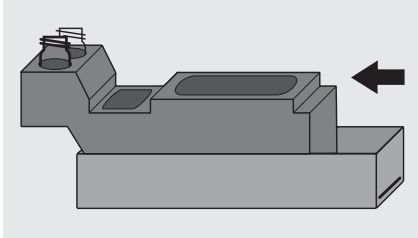
Color card  
Farbkarte  
Carte colorimétrique  
Tarjeta colorimétrica

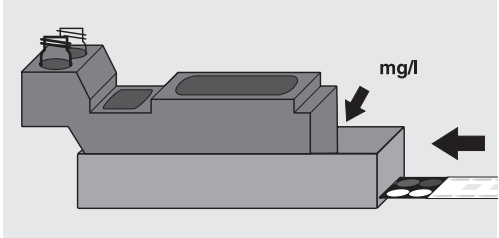
$\text{NO}_2^-$



© 2024

1. 

2. 

3. 

7.69144.2404-XXXXXX 04/2024

Merck KGaA, 64271 Darmstadt, Germany,  
Tel. +49(0)6151 72-2440  
[www.sigmaaldrich.com/colorimetry](http://www.sigmaaldrich.com/colorimetry)

EMD Millipore Corporation, 400 Summit Drive  
Burlington MA 01803, USA, Tel. +1-978-715-4321

MilliporeSigma Canada Ltd., 2149 Winston Park Dr,  
Oakville, Ontario, L6H 6J8, Canada,  
Phone: +1 800-565-1400

0 0.1 0.2 0.3 0.4 0.6 0.8 1.0 1.3 2.0 mg/l  $\text{NO}_2^-$

15 - 25 °C  
pH 2 - 10  
5 ml  
1 x  $\text{NO}_2^-$   
1 min  
pH 2.0 - 2.5  
3 min

0 0.03 0.06 0.09 0.12 0.18 0.24 0.3 0.4 0.6 mg/l  $\text{NO}_2^-$

